

PAMS Technical Documentation

NSK-3 Series Transceivers

Chapter 2

General Information

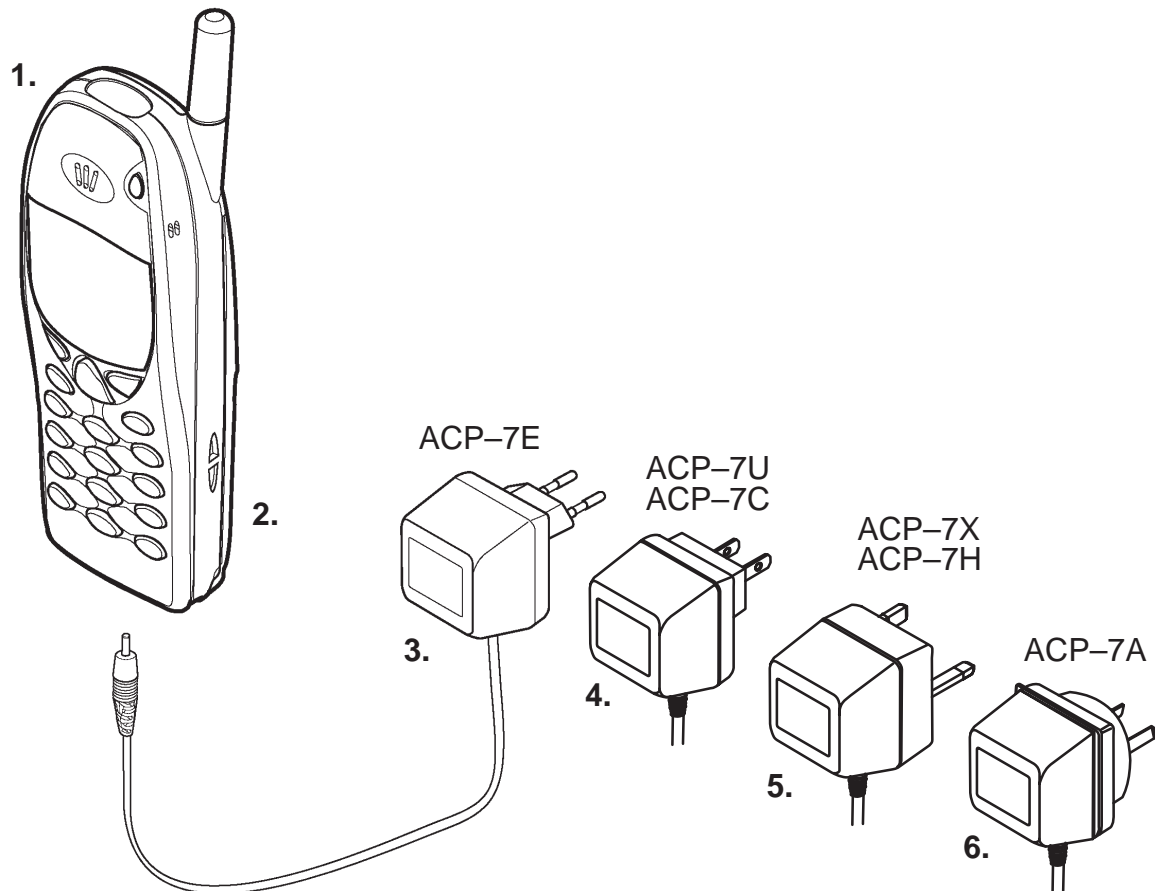
CONTENTS

Product Selection	2 – 3
Handportables	2 – 3
Desktop Option	2 – 4
Basic Car Kit (CARK-64) Options	2 – 5
Advanced Hands Free Car Installation (CARK-91) Options	2 – 6
Product and Module List	2 – 7
Technical Specifications	2 – 8
General Specifications of Transceiver NSK-3	2 – 8

Product Selection

Handportables

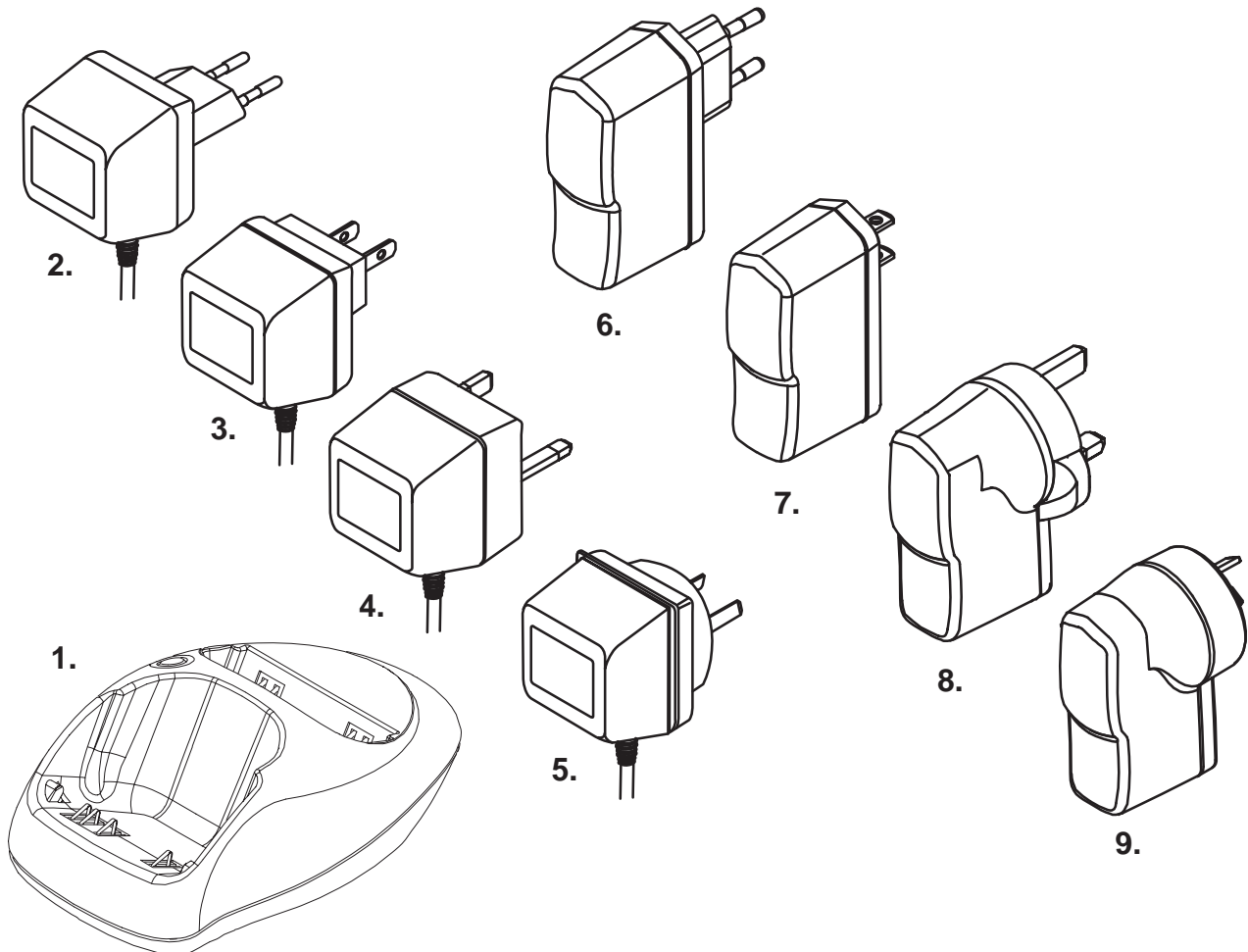
The NSK-3 is a handportable mobile telephone for the PCN (GSM 1800) network.



Item Name:	Type code:	Material code:
1. Transceiver	(See variant Appendices)	
2. Standard battery (NiMH 900 mAh)	BMS-2	0670203
3. AC Travel Charger (Euro plug) 207-253 Vac	ACP-7E	0675144
4. AC Travel Charger (US plug) 108-132 Vac	ACP-7U	0675143
AC Travel Charger (US plug) 198-242 Vac	ACP-7C	0675158
5. AC Travel Charger (UK plug) 207-253 Vac	ACP-7X	0675145
AC Travel Charger (UK plug) 180-220 Vac	ACP-7H	0675146
6. AC Travel Charger (Australia) 216-264 Vac	ACP-7A	0675148

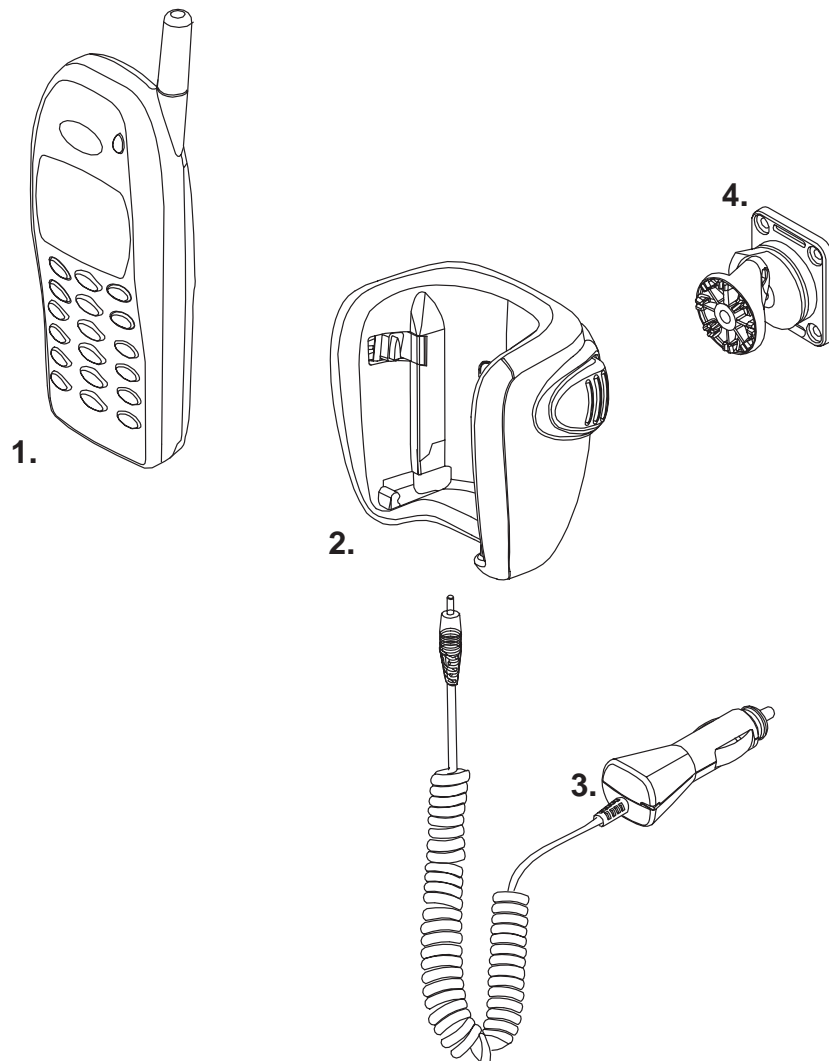
Desktop Option

The desktop option allows the user to charge the handportable and spare battery from mains.



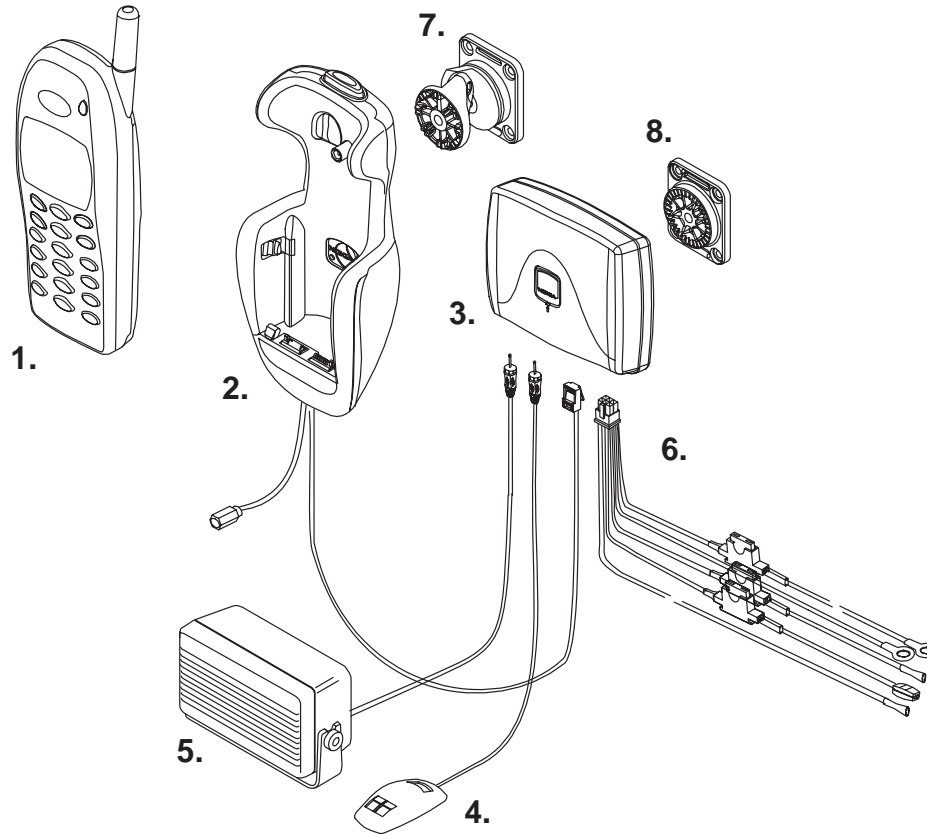
Item Name:	Type code:	Material code:
1. Desktop stand	DCH-9	0700049
2. AC Travel Charger (Euro plug) 207-253 Vac	ACP-7E	0675144
3. AC Travel Charger (US plug) 108-132 Vac	ACP-7U	0675143
AC Travel Charger (US plug) 198-242 Vac	ACP-7C	0675158
4. AC Travel Charger (UK plug) 207-253 Vac	ACP-7X	0675145
AC Travel Charger (UK plug) 180-220 Vac	ACP-7H	0675146
5. AC Travel Charger (Australia) 216-264 Vac	ACP-7A	0675148
6. Fast Travel Charger (Euro plug) 90-264 Vac	ACP-9E	0675149
7. Fast Travel Charger (US plug) 90-264 Vac	ACP-9U	0675151
8. Fast Travel Charger (UK plug) 90-264 Vac	ACP-9X	0675150
9. Fast Travel Charger (Australia) 90-264 Vac	ACP-9A	0675152

Basic Car Kit (CARK-64) Options



Item Name:	Type code:	Material code:
1. Transceiver	(See variant Appendices)	
2. Mobile Holder	MBC-1	0700060
3. Cigarette Lighter Charger	LCH-9	0657120
4. Swivel Mount	HHS-9	0620037

Advanced Hands Free Car Installation (CARK-91) Options



Item Name:	Type code:	Material code:
1. Transceiver	(See variant Appendices)	
2. Mobile Holder	MCC-1	0620043
3. Hands Free Unit	HFU-2	0694049
4. Hands Free Microphone	HFM-8	0690016
5. Hands Free Speaker	HFS-12	0692008
6. Power Cable	PCH-4J	0730055
7. Swivel Mount	HHS-9	0620037
8. Mounting Plate	MKU-1	0620036

Product and Module List

Unit/type:	Product code:
Transceiver NSK-3	See variant Appendixes
Slim Battery BLS-2N 900 mAh	0670268
Ultra Slim Battery BPS-1 600 mAh	0670265
Standard Battery BMS-2S 900 mAh NiMH	0670225
Vibrator Battery BMS-2V 900 mAh +	0670204
Extended Battery BLS-4 1500 mAh	0670207
AC Travel Charger ACP-7E (EUR) 207-253 Vac	0675144
AC Travel Charger ACP-7U (US) 108-132 Vac	0675143
AC Travel Charger ACP-7C (US) 198-242 Vac	0675158
AC Travel Charger ACP-7X (UK) 207-253 Vac	0675145
AC Travel Charger ACP-7H (UK) 180-220 Vac	0675146
AC Travel Charger ACP-7X (AUS) 216-264 Vac	0675148
Fast Travel Charger ACP-9E (EUR) 90-264 Vac	0675149
Fast Travel Charger ACP-9U (US) 90-264 Vac	0675151
Fast Travel Charger ACP-9X (UK) 90-264 Vac	0675150
Fast Travel Charger ACP-9A (AUS) 90-264 Vac	0675152
Cigarette Lighter Charger LCH-9	0675120
Desktop Stand DCH-8	0675179
Desktop Stand DCH-9	0675174
Mobile Holder MBC-1	0700060
Mobile Holder MCC-1	0620043
Handsfree Unit HFU-2	0694049
Power Cable PCH-4J	0730055
HF Microphone HFM-8	0690016
HF Speaker HFS-12	0692008
Mounting Plate MKU-1	0620036
Swivel Mount HHS-9	0620037
Headset HDC-9	0694053
Headset HDC-9P	0694069
Loopset LPS-1	0630146
Belt Clip BCH-12U	0272166
External Antenna Cable XRC-1	0730103
Data Adapter Cable DAC-2	0730106

Technical Specifications

General Specifications of Transceiver NSK-3

Parameter	GSM 1800
Cellular system	GSM 1800
TX frequency band	1710.2 ... 1784.8 MHz
RX frequency band	1805.2 ... 1879.8 MHz
Duplex spacing	95 MHz
Number of RF channels	374
Channel spacing	200 kHz
Output power	1 W (+30 dBm)
Power levels	16
Method of frequency synthesis	Two digital phase locked loops VHF 800 MHz UHF 1310.2 ... 1392.8 MHz
Frequency control	13 MHz VCTCXO: AFC used
Receiver type	Linear, 3 IF
Modulator type	GMSK